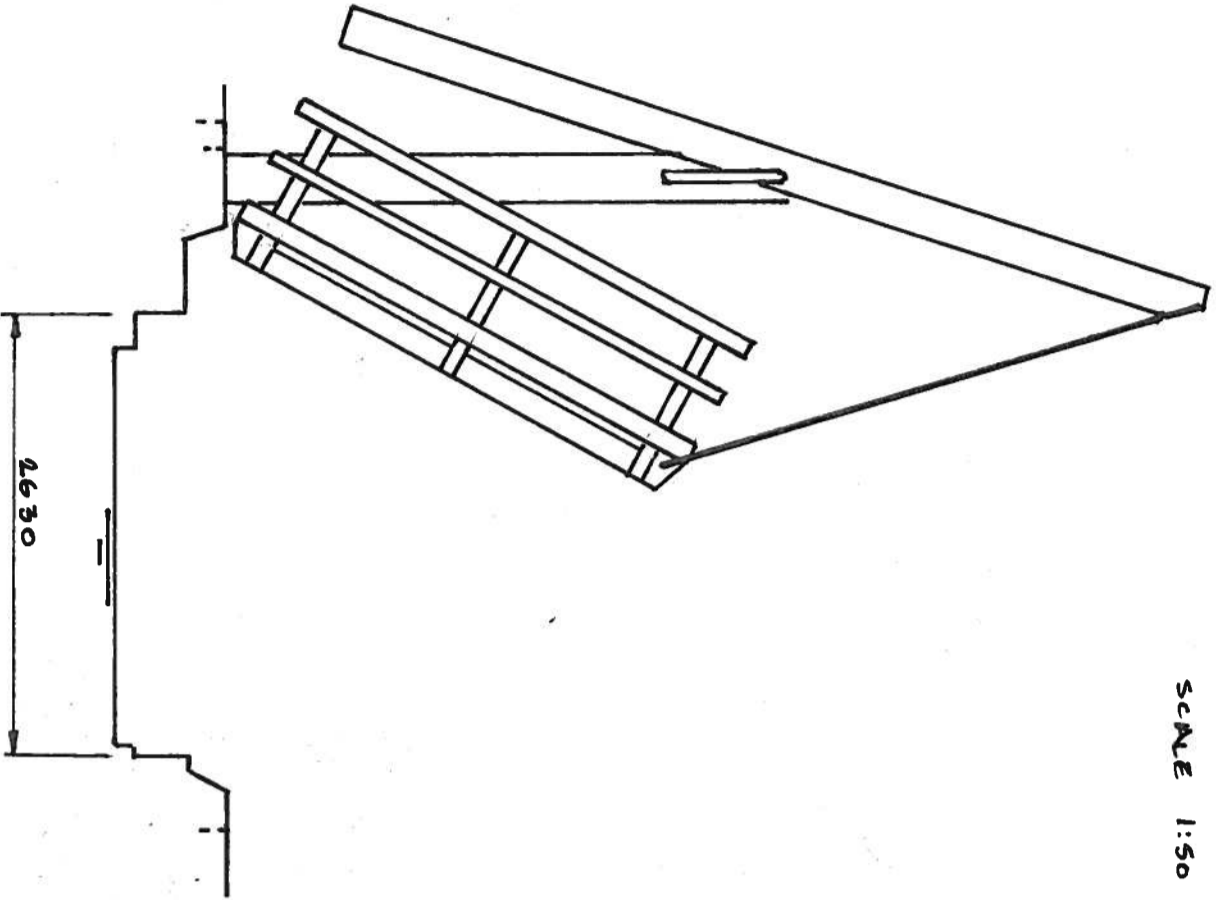
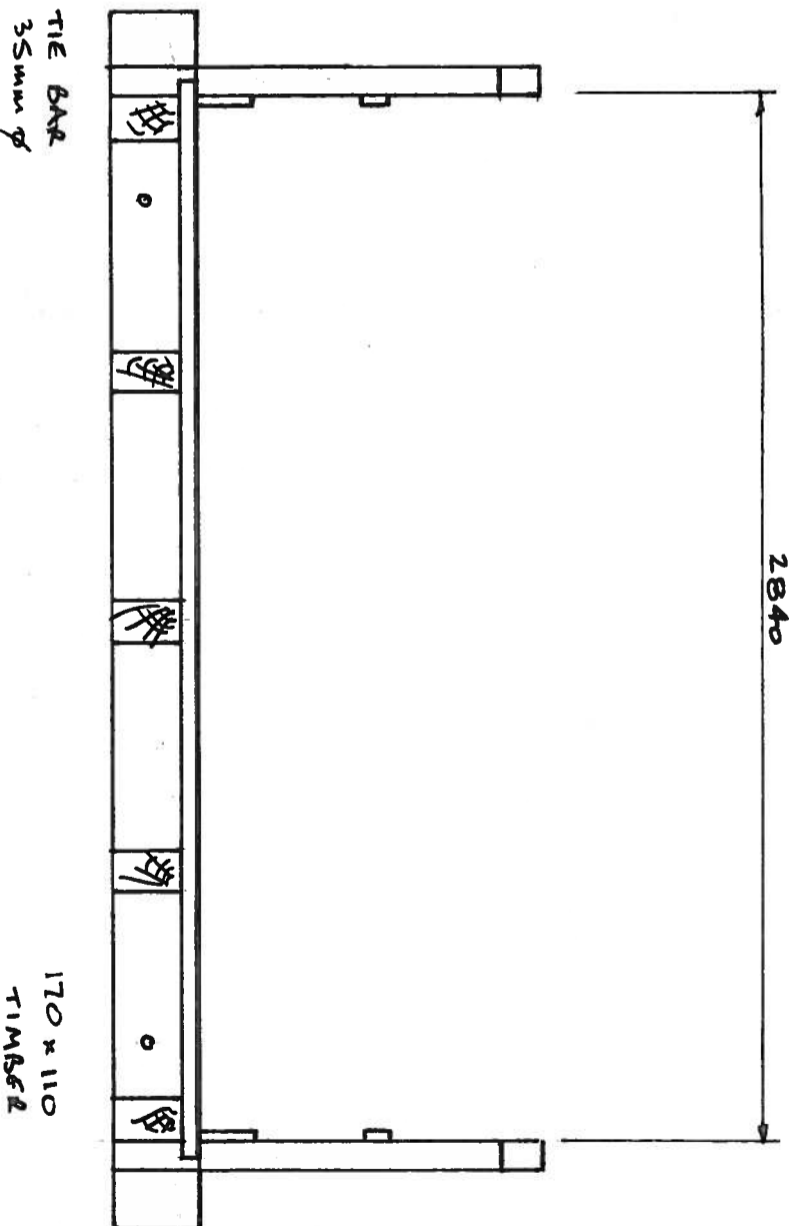


END SECTION  
SCALE 1:50



SECTIONAL ELEVATION

SCALE 1:50



CROSS SECTION  
SCALE 1:20



Inland Waterways Association

**TITLE:**  
Northampton Arm Lift Bridge

**General Layout:**

**SCALE:**  
AS SHOWN

**Drawn by: MJB**  
Rev: 01

**Drawing Number: MJB/IWA 001**